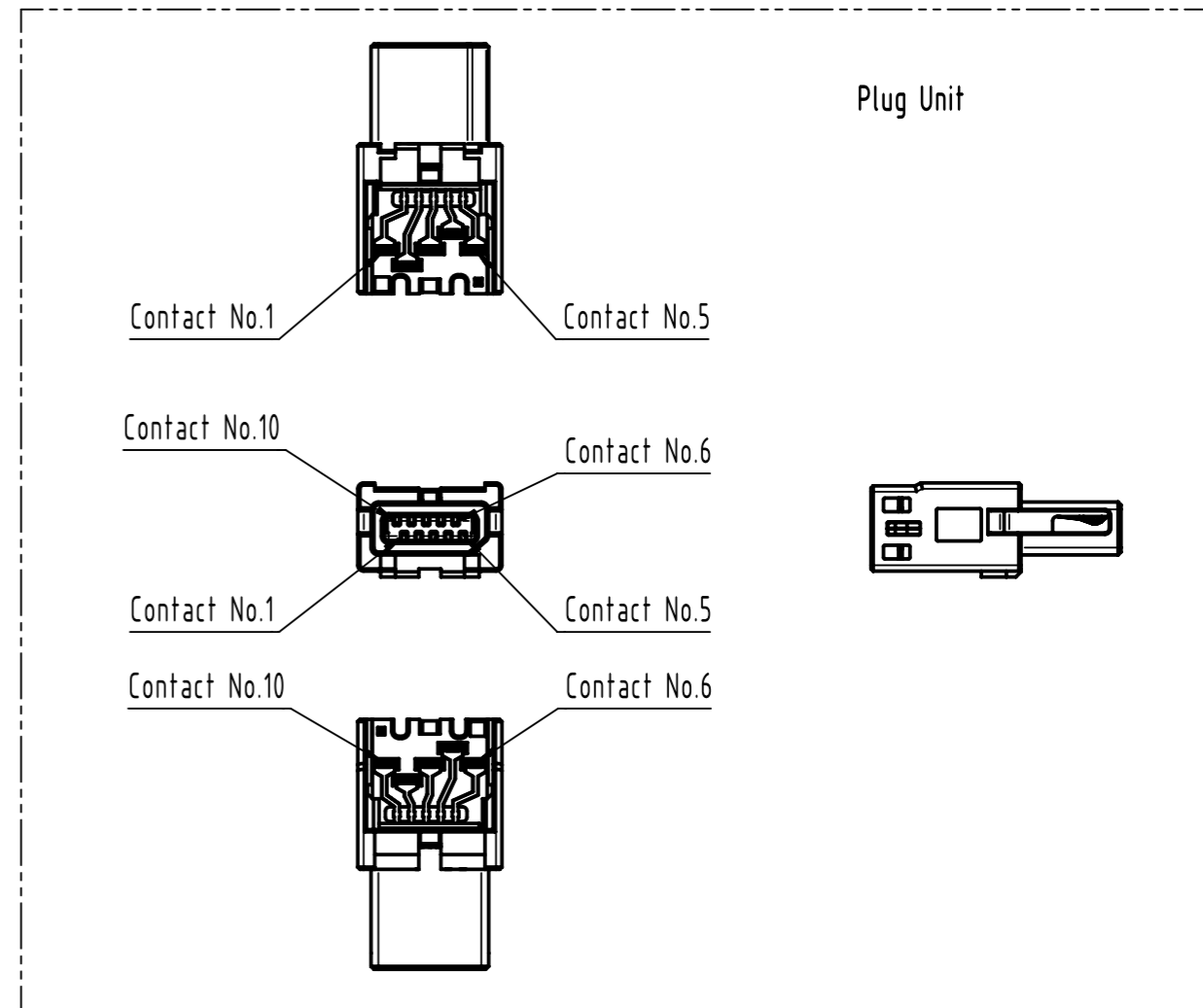
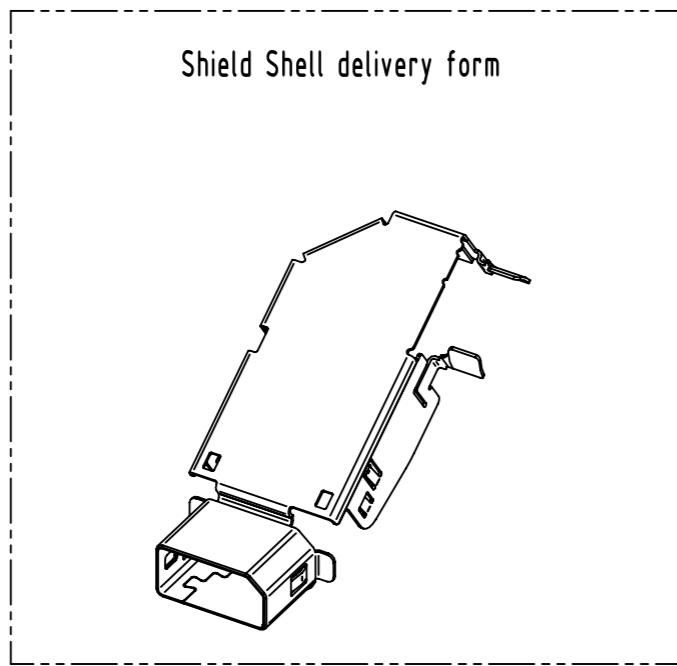


Applicable cable	
Items	Applicable condition
Conductor size	AWG 24
Insulation O.D.	Ø1.1 to 1.25 mm
Braid Shield	Tin plating
Sheath O.D.	Ø5.5mm - Ø7.2mm

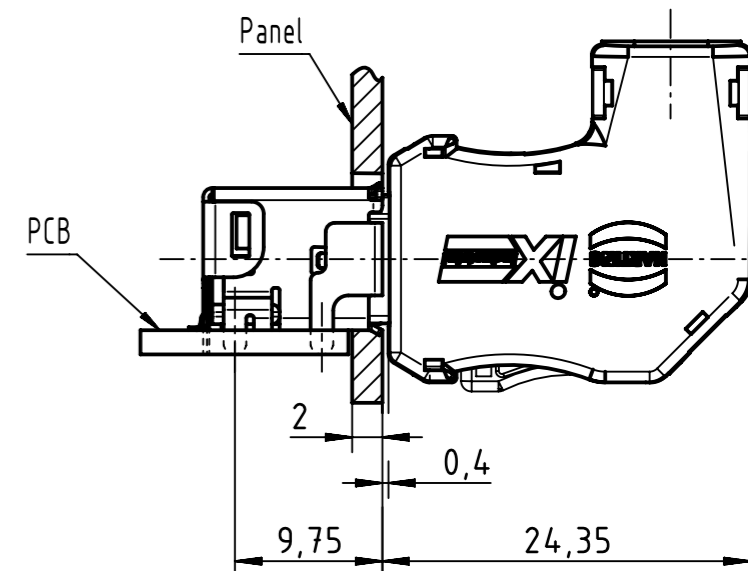
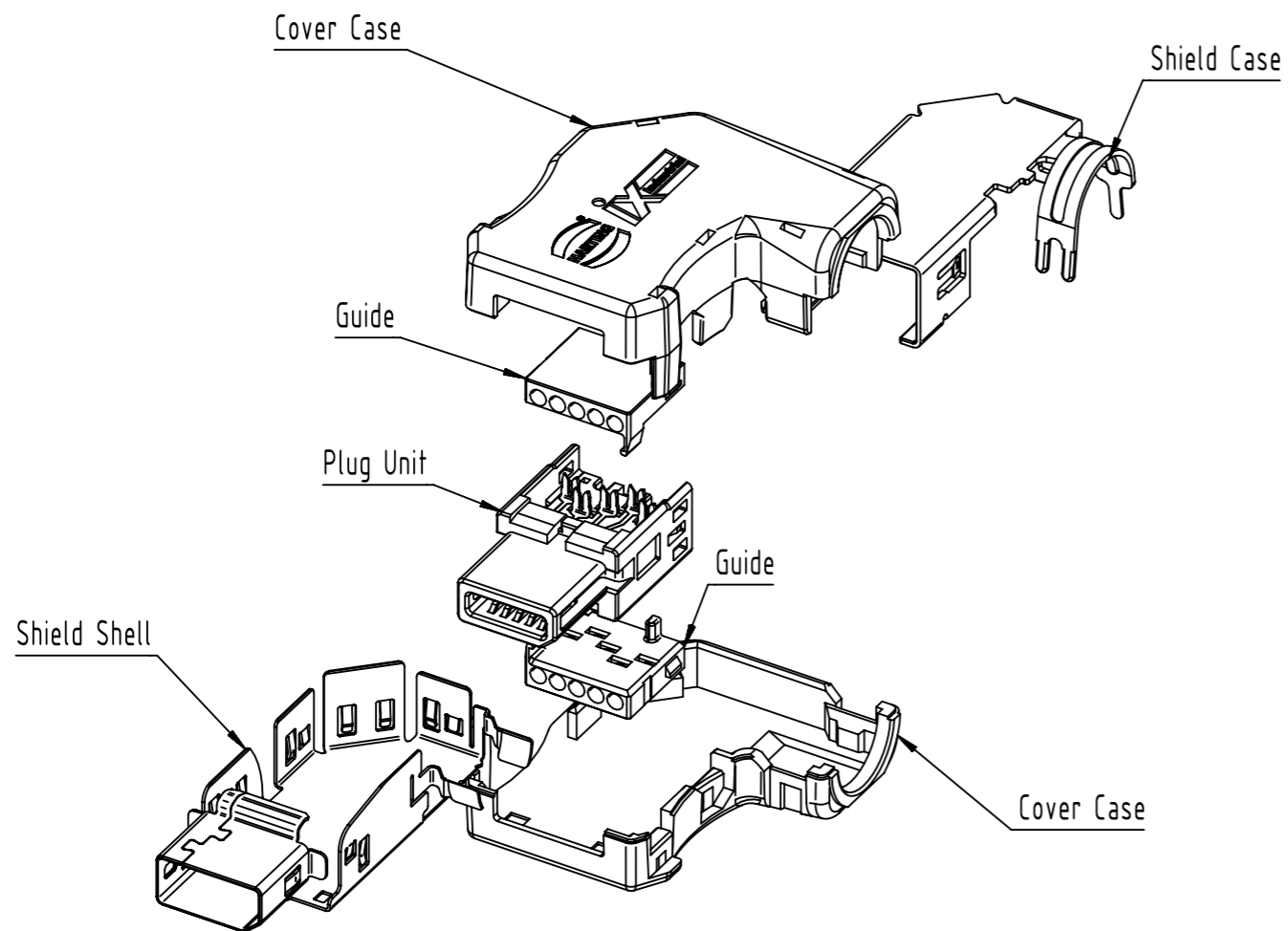
Contact material: copper alloy
 Contact area: Gold 0.2µm min.
 Wiring area: Gold 0.03µm min.
 Under plating: Nickel 2µm min.

	All rights reserved Department EL PD	All Dimensions in mm Original Size DIN A3		Scale 2:1	Free size tol.	Ref. Sub.
		Created by BALSAN	Inspected by PREOTU	Standardisation ROEBEN	Date 2022-05-20	State Final Release
HARTING D-32339 Espelkamp		Title ix Industrial 10B-1 plug A3-124			Doc-Key / ECM-Nr. 100903669/UGD/000/B 500000216905	
		Type TB	Number 09451819027XL		Rev. B	Page 1/2



Product Structure

Mating condition (2:1)



	All rights reserved	Created by BALSAN	Inspected by PREOTU	Standardisation ROEBEN	Date 2022-05-20	State Final Release	
	Department EL PD	Title ix Industrial 10B-1 plug A3-I24				Doc-Key / ECM-Nr. 100903669/UGD/000/B 500000216905	
HARTING D-32339 Espelkamp	Type TB	Number 09451819027XL				Rev. B	Page 2/2